

Welcome to

BFL WC - bidet pan fixings, **21st** century innovation.

- Current methods used to install WC pans.



WOOD FLOORS



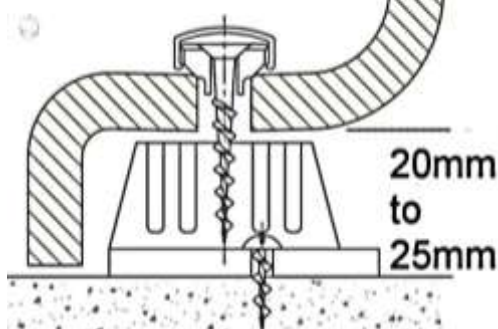
CONCRETE FLOOR

- **BFL** have **reinvented** the installation, removal and re-fixing of WC pans without **damage** or **breakages**. Using a fixing that can be **100%** recycled..... **a facility never previously available.**
- **Builders** and **Clients** are guaranteed to save **70%** on **Installation, Repair and Maintenance** cost.
- Social housing, private housing sectors and the **DIY** sector have purchased **14,500** units to date.

21st century sustainable innovation

BFL direct to floor fixing.

Section through pan foot.



Important: Fixing to concrete floors.

- **Make sure** the underside of the pan as a minimum clearance of **20mm**.

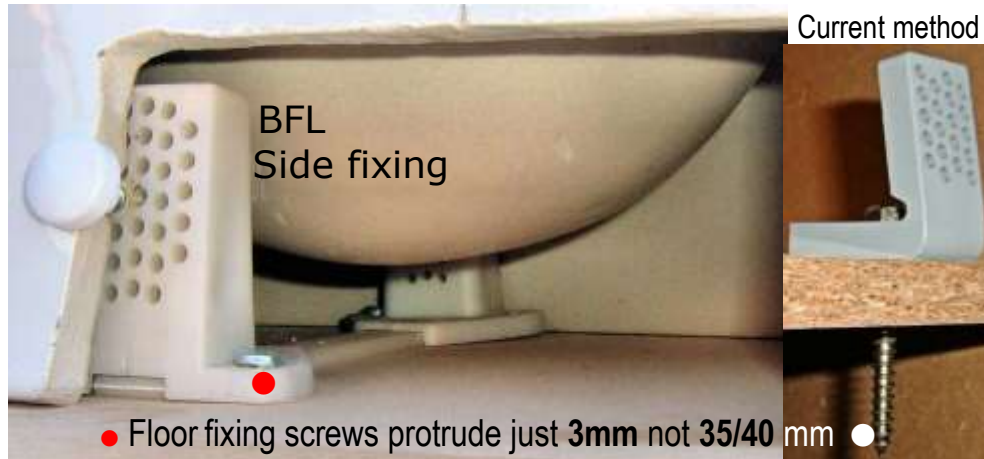
[e.g. Twyford Alcona pan]

- Less than **20mm clearance** will eliminate all future cost-effective repairs and maintenance. The only solution will be to install & fix the pan permanently on a **solid bed of concrete.**

BFL Toilet - bidet pan fixings: Invented for Life

Whole-life cost solutions for **Best Value** performance.

- There are no increased costs, **you** cut costs by **70%**.



- The real benefits come when carrying out future repairs & maintenance and or decorative improvement [floor, wall tiling or decorating].
- Simply remove the toilet or bidet pan, complete the job and refix it on any floor surface, with minimum of fuss or mess, first time every time.

New Build - Decent Homes - Responsive Repairs - Adaptations - Voids

- BFL pan fixings can be used on any floor surface by any trades person..



- Based on location, a replacement pan repair will cost up to **£1000**.



WC- bidet pans cannot be recycled.

Annually builders & contractors dump **3000** tonne of broken pans into landfill. **You** can help to reduce this figure by **75%**.

- These problems are typical of all pan installations.



- **Non-standard pan design [fixing]**
- **Concrete floors: 100%** are fixed permanently on a solid bed of concrete.
- **Wood floors:** excessively long fixing screws cause damage to pipes and wiring under floors.
 - Corroded fixing screws
 - Accessibility problems.
 - Stability problem
 - Uneven floors,
 - Confined space.
 - Difficulty fixing
 - Expensive call backs.
 - **Eliminate all the problems.**

- **0%** sustainable - **0%** cost effective - **200** years out of date.
- A standard fixing height would present **Architects, Surveyors, Procurement** and **Building Managers** with a lifetime solution that will guarantee cost savings of **70%** and eliminate **90%** of the associated landfill waste **[CSR]**.

- When replacing a pan BFL clients use a Twyford Elite pan specified with the BFL WC pan fixing system.
- Their aim is to establish a cost effective and sustainable repairs & maintenance standard **across their housing stock**.



Dictate change: Economic - Sustainability – CSR

BFL client **Testimonials**

Steve Gill, Tech Manager Northwards Housing: **Manchester City Council**.

It was site trialled on the basis that there would be no increase in the cost of fixing toilet pans. The result was Housing Services specifies BFL toilet pan fixings as standard, and are specified in the brief for the Decent Homes Program.

- To date MCC [Northwards Housing] have purchased **8500** units.

Paul Wignall, Service Manager: **Knowsley Housing Trust [Vivarc]**

“We have a policy of specifying materials which reduce future maintenance costs” We decided to try it and found that the real pay back comes when the pan has to be removed and re-fixed - this becomes simple, quick, clean and more cost-effective. A further benefit is it helps to significantly reduce the number of damaged pans.

- To date KHT [Vivark] have purchases **3750** units.

New Prospect Housing [Salix Homes].

The pan fixing has met the claims made for it and there is no reason that it won't deliver the lifetime savings expected. Based on the trial at Chapel Street, the BFL pan fixing will be specified for the future.

- **Type of building process used: Partnering form of contract using NEC2000**

Arthur McCabe, Creative Support Ltd

I have fitted the BFL WC pan fixing on the timber floor using the FD2 side fixing kit not only was it easier than using the fasteners supplied with the WC but the finished fixing is considerably firmer. I think the spacer connecting the two blocks is a brilliant idea as it ensures that the blocks are at the perfect distance apart.

John Cubbin, Holt, Norfolk

The FD2 unit is a really great bit of kit which more professionals and diy-ers should know about. The design makes fixing so much simpler as the 2 fixing blocks are effectively fitted as one single unit. The 2 hole per-side floor fixing means shorter screws can be used to minimise hole depth in the flooring.

- Create multi skilling solution for all construction trades.
- So simple, **tenants** could be shown how to use the fixings.
- BFL fixings adjust to fit a range of manufacturers products.

- **Design and innovation is about solving a problem... making something better**

Contact: Fred Donnelly

BFL Fixings Ltd - 30 Huntley Road - Cheadle Heath - Stockport - Cheshire SK3 0SE

Phone 44 [0] 161 491 6295 - Mobile 0788 0715 686

Registered in England No 4336155

www.toiletpan-fixings.co.uk email: info@toiletpan-fixings.co.uk